

MPU™ 800c

Bulletin SSKS008 Issue/Rev. 0.1 (8/17)

MPU Gas Ultrasonic Flowmeter

The **MPU 800c Ultrasonic Gas Flowmeter** combines accuracy and advanced technology using four measurement paths to meet international standards for custody transfer gas flow measurement. Designed with new features and enhanced performance from the Series C electronics, the MPU 800c provides the optimum price and performance solution for custody transfer accuracy gas measurement applications.

Principle of Operation

The MPU 800c calculates flow rate by measuring the acoustic transit time of ultrasonic signals traveling back and forth across the flow. The signal transmission and detection is achieved using two piezoelectric transducers located on each side of the measurement path.

The high speed electronics measure the transit time in both the upstream and downstream direction. This information is used to accurately calculate the flowing velocity and volumetric flow rate of gas through the meter.



Features

- **Performance** – The eight ultrasonic transducers in four measurement paths accurately measure flow velocity and rate for custody transfer performance over a wide variety of conditions. Nominal accuracy is +/-0.1% and repeatability of +/-0.1% or better with flow calibration.
- **Low Maintenance** – No moving parts that need replacement due to wear, providing stable measurement over the life of the meter. Non-intrusive parts help avoid product build up on equipment.
- **Compliance to International Standards** – The MPU 800c has been field tested and verified to AGA-9 2007, Welmec 7.2, OIML R137-1 and 2 and ISO 17089 performance specifications.
- **Advanced Electronics** – The new MPU 800c includes the cutting edge speed, accuracy and diagnostic capabilities of the Series C electronics.
- **Noise Immunity** – The digital signal filtering and processing increases noise immunity allowing for accurate measurement in difficult, high noise installations.
- **On Board Memory for Diagnostic Analysis** – On board memory stores 28 days of continuous process data. A detailed diagnostic analysis of process conditions and meter operation is possible following any process upset or alarm condition by simply downloading the file.
- **Integrated or Remote Color Touch Screen Display** – The optional color touch screen display can be attached as the front panel of the meter electronics or remotely mounted using the optional wall mounted display.
- **Web-based Interface** – Meter can directly interface with a web browser to serve as the operator interface display, eliminating the need for specialized software interfacing and improving accessibility and ease of use.
- **In-line Transducer Replacement** – The transducers can easily and safely be removed under pressure using a transducer retraction tool with isolation valves eliminating the need for process shut down or recalibration due to servicing.

OPERATING SPECIFICATIONS

Size	Velocity, m/sec		Velocity, ft/sec		Flow Rate, Am ³ /h ⁽¹⁾ (note 1)		Flow Rate, AMCFD ⁽¹⁾ (note 1)	
	Min	Max	Min	Max	Min	Max	Min	Max
6"	0.40	30.0	1.31	98.4	26.8	2,013	22.7	1,706
8"	0.40	30.0	1.31	98.4	46.5	3,486	39.4	2,954
10"	0.40	30.0	1.31	98.4	73.3	5,494	62.1	4,657
12"	0.40	30.0	1.31	98.4	105	7,880	89.1	6,679
16"	0.40	30.0	1.31	98.4	170	12,727	144	10,787
20"	0.30	30.0	0.98	98.4	203	20,279	172	17,187
24"	0.30	30.0	0.98	98.4	296	29,582	251	25,072
30"	0.30	30.0	0.98	98.4	468	46,820	397	39,682
36"	0.20	25.0	0.66	82.0	453	56,665	384	48,026
48"	0.20	25.0	0.66	82.0	814	101,812	690	86,291
60"	0.20	25.0	0.66	82.0	1,281	160,092	1,085	135,687

Flow rates calculated for schedule STD pipe, other schedules will vary. Consult factory for additional pipe sizes and schedules. Consult factory for flow velocities outside of the normal min and maximum values.

Operating Pressure Range

1-275 bar_a / 15 to 3,990 psi_a

Please consult factory for pressures up to 350 bar.

MAXIMUM WORKING PRESSURE - PSI (bar)

ASME	Carbon Steel	Stainless Steel
150	285 (20)	275 (19)
300	740 (51)	720 (50)
600	1,480 (102)	1,440 (99)
900	2,220 (153)	2,160 (149)
1500	3,990 (275)	3,990 (275)

Nominal Accuracy

10D upstream straight run and no flow conditioning:

Without flow calibration: $\pm 0.5\%$ of measured value

With flow calibration: $\pm 0.1\%$ of measured value

Repeatability: $\pm 0.1\%$ of measured value

Weights and Measures Approvals and Compliance

WELMEC 7.2 (Issue 5, March 2012)

OIML R137-1&2 (Edition 2012) Including Amendment 2014

OIML R137-3 Edition 2014 (E)

AGA Report No. 9 (2007)

ISO 17089-1 First Edition 2010-11-15

Compliance to International Standards

The MPU 800c has been field tested and verified to

AGA-9 2007, Welmec 7.2, OIML R137-1&2 and ISO 17089

performance specifications.

TEMPERATURE

Operating flow temperature:	-20°C to 70°C / -4°F to 158°F
Operating ambient temperature:	-25°C to 60°C / -13°F to 140°F
Storage Temperature:	-40°C to 60°C / -40°F to 140°F

Standard Flange Connections

Typically ANSI B16.5 RF or RTJ face flanges. Other types flange connections available on request.

NACE Compliant

Designed for NACE MR0175 compliance

Meter Body and Flanges Material

Carbon Steel: A350 LF2 Stainless Steel: A182 F316

For other options consult factory.

Transducer

Piezoelectric element, fully encapsulated in a titanium housing – special solution for H₂S and C₆+ applications.

¹ Flow rates correspond to conditions of actual temperature and pressure (AVF). For ranges in units of standard volumetric flow (SVF) use the following:

$$SVF = AVF \left(\frac{P_{\text{actual}}}{P_{\text{standard}}} \right) \left(\frac{T_{\text{standard}}}{T_{\text{actual}}} \right)$$

Instrument Power

DC Instrument Input Power to Field Mounted

Electronics

24 Vdc, +20% / -15%, 0.5A without integrated display
0.7A with integrated display

Power inrush: 10 Amps for < 20mS at 24 Vdc. The DC power input circuitry is reverse current protected and fused

Tested to 20 milliseconds power dropout, 100 milliseconds power brownout without shut down. Meter will always restart orderly after power loss.

Electrical Inputs

Digital Inputs

Quantity: 2

Function: Input 1 – Consult Factory

Input 2 – Dedicated to external Weights
& Measures switch input

Type: Optically isolated, internally current limited digital input

Input voltage range (V-high): 5 to 28 VDC

Maximum input frequency: 10KHz

V (high): 5.5 VDC minimum to 28 VDC maximum*

V (low): 1 VDC maximum*

Current at maximum voltage: 20mA maximum

Input impedance: 1.67 kΩ

***Note:** The input pulse must rise above V (high-minimum) for a period of time then fall below V (low) to be recognized as a pulse.

Analog Input (4-20mA)

Quantity: 2

Type: Two-wire, 4-20mA current loop receiver, common neutral isolated from system ground, programmable as to function

Span adjustment: 3.8mA to 22mA span, User-programmable inside these limits

Input burden: 50Ω

Resolution: 24-bit

Voltage drop: 2 Volts maximum

Recommended cable: Belden 8729, 9940 or equivalent

Analog Input (Temperature Probe – RTD)

Quantity: 1

Type: Four-wire, 100Ω Platinum Resistance Temperature Detector (PRTD)

Temperature coefficient: @ 0°C: 0.00385Ω/Ω/°C

Temperature range: -60°C to 180°C

Offset: Temperature probe offset is user-programmable

Self calibrating: Lead length compensation that requires no resistance balancing of leads

Electrical Outputs Communications

Ethernet

IEEE 802.3 Ethernet operating at 10/100 Mbps.

Modbus TCP/IP at port 502

10/100Base-TX (Ethernet over twisted pair)

Maximum of 2 ports (1 if fiber optic option is enabled via jumpers. 0 if integrated display is fitted and fiber optic is enabled)

Auto-MDIX – Will work with straight or crossover cable automatically

RJ-45 connector per port

Maximum distance between Ethernet devices: 100m (328ft)

Recommended cable: Category 5 or better

100Base-FX (Ethernet over fiber optic)

1300nm wavelength MT-RJ connector

Maximum Distance between Ethernet devices: 2km (6,561ft)*

Recommended cable: 1-pair 62.5/125 μm multimode glass

Transmitter output minimum optical power: -20dBv avg

Receiver input minimum optical power: -31dBm avg

Optical Power Budget (OPB) at 0.5km with

recommended cable: 9dB

Optical Power Budget (OPB) at 2km with recommended cable: 6dB

***Note:** Optical losses in cables, connectors, and couplers can reduce this maximum limit.

Serial

EIA-485 Port: 2 wire

120Ω endpoint termination resistor included in circuit, user selectable via jumper

Configuration: Multi-drop network

Line Protocol: Half duplex

Data Rate: Selectable asynchronous data (Baud) rates of 1200, 2400, 4800, 9600, 19200, 38400, 57600 or 115200 bps

Word Length: 7 or 8 bits

Parity: None, odd, or even

Protocol: MODBUS (RTU) or Modbus ASCII

Recommended cable: Belden 3106A, 9841, or equivalent low capacitance cable

HART

The optional HART interface operates over the 4-20 mA analog output and supports the following commands.

All Universal Commands:

- Read up to four dynamic variables
- Read and write TAG name
- Read range values and sensor limits
- Read and write user messages and date

Common Practice Commands required for:

- Selection of engineering units
- Burst mode control

Digital/Pulse Outputs

Quantity: 2

Volume output with programmable K-factor.

Configuration Selections:

- 1). Quadrature (I, Q)
- 2). Pulse (forward, reverse)
- 3). Pulse (pulse, direction)
- 4). Pulse (pulse, direction inverted)

Type: Current limited active output or open collector – jumper selectable.

Switch blocking voltage (switch off): 30 VDC maximum.

Frequency Range: 0 to 10kHz nominal, overrange up to 15kHz.

Minimum Pulse Width: > 66µs (50% duty cycle nominal)

24 VDC Input Power Supply: No Load: 23 ±0.3 Vp-p square wave.

270Ω Load: 12 ±0.3 Vp-p square wave (minimum).

12 VDC external power supply for pulse output circuitry: No Load: 11 ±0.3 Vp-p square wave.

270Ω Load: 6 ±0.3 Vp-p square wave (minimum).

Current: Maximum Sink Current: 300mA @ 29 VDC.

Maximum Source Current: 80mA @ 29 VDC.

Recommended cable: Belden 9402. Up to 2000 ft use 20AWG, up to 3000 ft use 18AWG. Shielded cable is recommended with the shield connected only at the receiving instrument. If using dual (quadrature) pulse output the two conductors carrying the outputs must not be in the same pair and ideally individually shielded.

Analog Output (4-20mA)

Quantity: 1

Type: Two-wire, loop powered, isolated from ground, user programmable as to function.

Span adjustment: 3.8mA to 21mA User adjustable

Alarm output: 22.5mA

Resolution: 16-bit.

Compliance voltage range: 6 VDC to 28 VDC.

Maximum load resistance @ 10 VDC: 250

Recommended cable: Belden 8729, 9940 or equivalent

Alarm Output

Quantity: 1

Type: Optically-isolated solid state output.

Polarity: Open during alarm and power off.

Switch blocking voltage: 30 VDC maximum.

Load current: 125mA maximum with 0.6 volt drop.

Safety Classification

Model (Ultrasonic Transducer)

Explosion / Flame Proof certifications: UL, CUL, ATEX, IEC Ex

ATEX (European Community)

PTB 07 ATEX 1018

Ex d IIC T4 /T5

Type US-A -40°C to +80°C

Type US-B -55°C to +100°C

IP 66

Note: Transducer US-A and US-B are included in the IEC Ex (Global Approach) and are listed by UL for North America, see Model UTS.

Model UTS (Ultrasonic Transducer System)

ATEX (European Community)

DEMKO 09 ATEX 0907098X

Ex d IIB T4 / T5 Gb

UTS-GA -40°C to +80°C

UTS-GB -55°C to +100°C

IP 66

IEC Ex (Global Approach)

IEC Ex UL 09.0023X

Ex d IIB T4 / T5 Gb

UTS-GA -40°C to +80°C

UTS-GB -55°C to +100°C

IP 66

UL/CUL (North American)

UL File E23545

Class I, Division 1, Groups C & D

Class I, Zone 1, Groups IIB

Type 4X

UTS-GA -40°C to +80°C

UTS-GB -55°C to +100°C

Electronics Enclosure: Ultrasonic Meter Control (UMC)

Explosion / Flame Proof Certification UL, C-UL, ATEX, IEC-Ex

ATEX (European Community)

DEMKO 13 ATEX 1204991X

Ex d ia op is IIB T5 Gb (Um=250v) IP66 Tamb = -40°C to 60°C (Display Version)

Ex d op is IIB T5 Gb IP66 Tamb = -40°C to 60°C (Non Display Version)

IEC Ex (Global Approach)

IEC Ex UL 13.0019X

Ex d ia op is IIB T5 Gb (Um=250v) IP66 Tamb = -40°C to 60°C (Display Version)

Ex d op is IIB T5 Gb IP66 Tamb = -40°C to 60°C (Non Display Version)

UL/CUL (North American)

UL File E23545

Class I, Division 1, Groups C & D Class I, Zone 1, Groups IIB T5, IP66 Enclosure

Tamb = -40°C to 55°C (Display Version)

Tamb = -40°C to 60°C (Non Display Version)

Remote Mounted Display: Touch Screen Control Interface (TCI)

Explosion / Flame Proof Certification UL, C-UL, ATEX, IEC Ex

ATEX (European Community)

DEMKO 13 ATEX 1204991X

Ex d ia op is IIB T5 Gb (Um=250v) IP66 Tamb = -40°C to 60°C (Display Version)

IEC Ex (Global Approach)

IEC Ex UL 13.0019X

Ex d ia op is IIB T5 Gb (Um=250v) IP66 Tamb = -40°C to 60°C (Display Version)

UL/CUL (North American)

UL File E23545

Class I, Division 1, Groups C & D Class I, Zone 1, Groups

IIB T5, IP66 Enclosure

Tamb = -40°C to 55°C (Display Version)

Pressure Safety Information

ASME

Designed to ASME B31.3 / ASME Section VIII Div. 1

CRN

CRN certificates available, consult factory

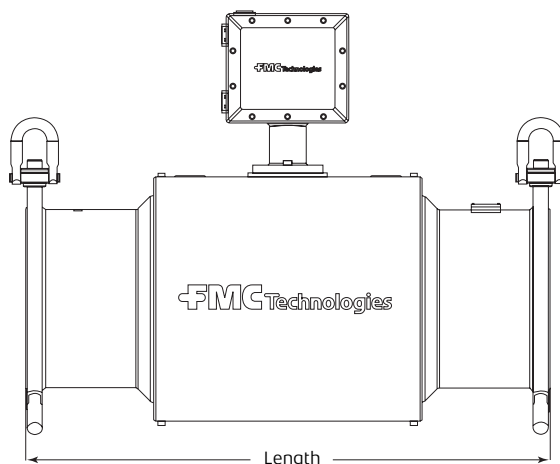
PED

EC Conformity Certificate available, consult factory

Dimensions and Weight

Inches (mm) and Pounds (kg)

Dimensions – inches to the nearest tenth (millimetres to the nearest whole mm), each independently dimensioned from respective engineering drawings. For larger sizes or other flange types/classes please consult factory.



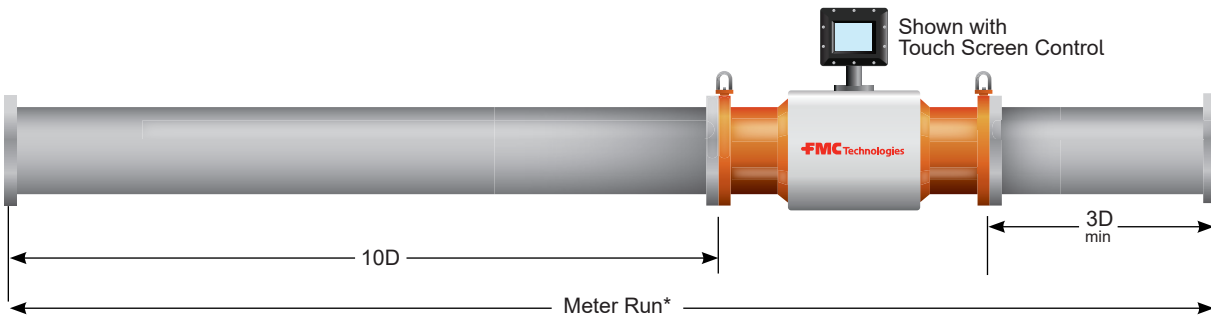
Size	ASME CLASS 150		ASME CLASS 300		ASME CLASS 600		ASME CLASS 900		ASME CLASS 1500	
	Length (mm/in)	Weight (lb/kg)	Length (mm/in)	Weight (lb/kg)	Length (mm/in)	Weight (lb/kg)	Length (mm/in)	Weight (lb/kg)	Length (mm/in)	Weight (lb/kg)
6"	29" 737 mm	325 lb 148 kg	29" 737 mm	375 lb 170 kg	29" 737 mm	450 lb 205 kg	31" 787 mm	575 lb 261 kg	34" 864 mm	775 lb 352 kg
8"	31" 787 mm	400 lb 182 kg	31" 787 mm	450 lb 205 kg	31" 787 mm	525 lb 239 kg	34" 864 mm	600 lb 273 kg	38" 965 mm	800 lb 364 kg
10"	35" 889 mm	425 lb 193 kg	35" 889 mm	500 lb 227 kg	35" 889 mm	650 lb 295 kg	38" 965 mm	800 lb 364 kg	44" 1118 mm	1200 lb 545 kg
12"	37" 940 mm	550 lb 250 kg	37" 940 mm	650 lb 295 kg	37" 940 mm	800 lb 364 kg	41" 1041 mm	1000 lb 455 kg	48" 1219 mm	1750 lb 795 kg
16"	40" 1016 mm	800 lb 364 kg	40" 1016 mm	1000 lb 455 kg	40" 1016 mm	1250 lb 568 kg	44" 1118 mm	1500 lb 682 kg	52" 1321 mm	3100 lb 1409 kg
20"	46" 1168 mm	1150 lb 523 kg	46" 1168 mm	1550 lb 705 kg	46" 1168 mm	1900 lb 864 kg	51" 1295 mm	2400 lb 1091 kg	60" 1524 mm	5000 lb 2273 kg
24"	53" 1346 mm	1800 lb 818 kg	53" 1346 mm	2400 lb 1091 kg	53" 1346 mm	2850 lb 1295 kg	61" 1549 mm	4250 lb 1932 kg	71" 1803 mm	8000 lb 3636 kg

Recommended Installation

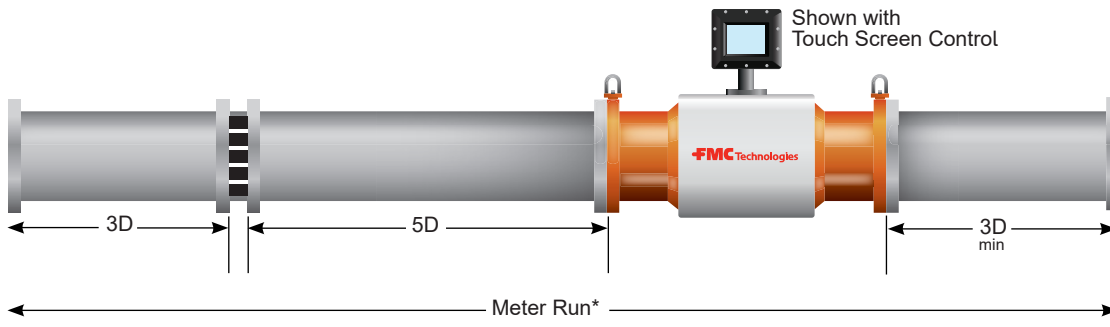
Without flow conditioning, the recommended installation for the MPU 1600c and 800c is 10D upstream straight run. For optimum performance it is recommended to keep partial restrictions or variable flow diversions such as control valves away from the upstream area. Consult factory for confirmation of suitability of the upstream piping geometry.

With flow conditioning, the recommended installation is 3D, then the flow conditioner, then 5D upstream straight pipe before the meter. Downstream of the meter is 3D. For bi-directional measurement the same upstream installation is repeated on both sides of the meter.

The meter run must be the same pipe diameter as the meter inlet and concentrically centered so that neither the pipe edge nor gasket protrude into the flow stream. For correct centering it is recommended to use the centering dowel pin provided on the meter flange.



* Diagram not drawn to scale.



* Diagram not drawn to scale.

Catalog Code

The following guide defines the correct ultrasonic flowmeter for a given application and the respective catalog code. This code is part of the ordering information and should be included on the purchase order.

Standard Configuration

Instrument Power: 24 VDC
 2 Analog Inputs: 4-20mA
 1 Analog Input: 4-wire RTD
 1 Analog Output: 4-20mA
 1 Digital Output: Dedicated to alarm – Optically isolated solid-state output
 2 Digital Inputs: 1 dedicated to Weights & Measures switch
 2 Pulse Outputs: Solid-state output (0 - 10 kHz) user-programmable K-factor, Quadrature
 2 Ethernet: 2 Twisted pair (10Base-T/100Base-T)
 1 Serial: 2 Wire EIA-485

Ultrasonic Meter Body									
1	2	3	4	5	6	7	8	9	10
MPU8	S	0	6	1	1	S	S	B	C

Position 1: Code

MPU8 – MPU 800c

Position 2: Certification

S – Standard: UL/CUL; ATEX; IEC Ex

Positions 3 and 4: Diameter⁽²⁾

06"
 08"
 10"
 12"
 Etc

Position 5: End Connections

1 - Class 150 ASME Flange
 2 - Class 300 ASME Flange
 3 - Class 400 ASME Flange
 4 - Class 600 ASME Flange
 5 - Class 900 ASME Flange
 6 - Class 1500 ASME Flange
 7 - Class 2500 ASME Flange

Position 6: Body Housing Materials

1 - Carbon Steel
 2 - 300 Series Stainless Steel
 X - Special

Position 7: Transducer⁽³⁾

S - Standard Titanium
 X - Retractable under pressure

Position 8: Transducer Type

S - Standard Transducer
 L - Special

Position 9: Mechanical Certification

B - ASME B31.3
 P - PED
 C - CRN
 X - Special

Position 10: Ethernet Connection

C - 2 Twisted Pair
 F - 1 Twisted Pair and 1 Optical

² For other sizes or custom ID, consult factory.

³ "Special" transducer requirement for any application not compatible with Buna-N Elastomers or where other transducer materials are required.

Meter Mounted Electronics Enclosure Ultrasonic Meter Control (UMC)

	1	2	3	4	5	6	7	8
UMC	E	A	P	N	S	0	B	0

Position 1: Hazardous Location Certification

E – Explosion Proof Certification UL, CUL, ATEX, IEC-Ex

Position 2: Housing Material

A – Aluminum

S – 300 Series Stainless Steel

Position 3: Housing Style

P – Pedestal Mount

H – Pedestal Mount w/Height Extension
(High Temperature Product Applications)

E – Pedestal Mount with Exe Junction Box

C – ATEX Zone 1 only

Position 4: Housing Electrical Entrances

M – M20 Thread

N – ½" NPT Thread

Position 5: Software

S – Standard UMC Software

X – Special

Position 6:

0 – Reserved

Position 7: Housing Cover

B – Blind Cover

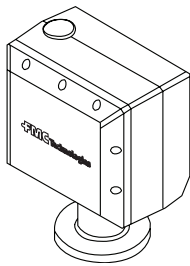
T – 5.7" Touch Screen* (Position 3 option P or H only)**

Position 8: Additional Communication Options

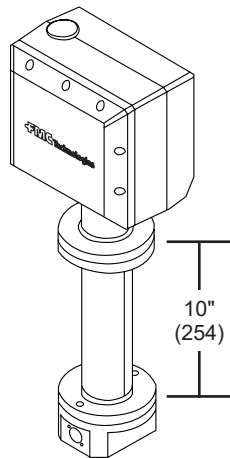
0 – None

1 – HART

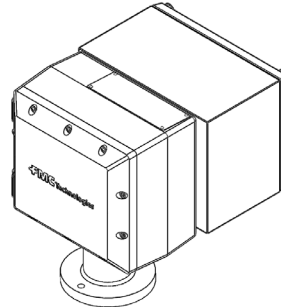
Model	Options and Option Combinations	Maximum Power (Based on Estimates)
UMC - E - (A or S) - (P or H) - (M or N) - S - 0 - T - (0 or 1)	UMCB board assembly (with display)	14.2W
UMC - E - (A or S) - (P or H) - (M or N) - S - 0 - B - (0 or 1)	UMCB board assembly (without display)	6W



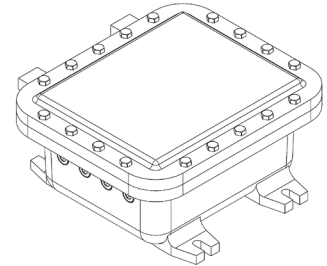
Pedestal Mount



Pedestal Mount with Height Extension



Pedestal Mount with Exe Junction Box



ATEX Zone 1 only

* Required for MID (Welmec 7.2) if remote mounted display or microFlow.net is not selected.

**Touch screen display only available with Pedestal Mount or Pedestal Mount with Height Extension

Remote Mounted DISPLAY: 5.7" TOUCH SCREEN CONTROL INTERFACE (TCI)

	1	2	3	4	5
TCI	E	A	S	N	S

Position 1: Hazardous Location Certification

E – Explosion Proof Certification UL, C-UL, ATEX, IEC-Ex Class 1, Div 1, Gr C&D; Exd IIB Zone 1

Position 2: Housing Material

A – Aluminum
S – 300 Series Stainless Steel

Position 3: Housing Style

S – Surface Mount

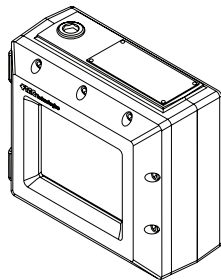
Position 4: Housing Entrances

M – M20 Thread
N – ½" NPT Thread

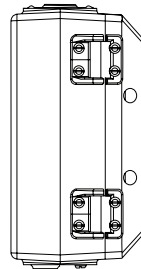
Position 5: Software

S – Standard
X – Special

Model	Options and Option Combinations	Maximum Power (based on estimates)
TCI - E - (A or S) - S - (M or N) - S	Display board assembly	8W



Housing With Display
Surface Mount



Housing With Display
Side View

Revisions included in SSKS008 Issue/Rev. 0.1 (8/17):

Page 5: Safety Classifications updated.

The specifications contained herein are subject to change without notice and any user of said specifications should verify from the manufacturer that the specifications are currently in effect. Otherwise, the manufacturer assumes no responsibility for the use of specifications which may have been changed and are no longer in effect.

Contact information is subject to change. For the most current contact information, visit our website at www.fmctechnologies.com/measurementsolutions and click on the "Contact Us" link in the left-hand column.