

# GNExCP7-PT Tool Reset Manual Signaling Box Call Point

The GNExCP7-PT tool reset push button Ex d explosion proof manual call points feature a robust GRP enclosure with a 316 stainless steel mechanism and IP66/67 rating – manufactured for the harshest of hazardous environments.

Globally approved to IECEx, ATEX, UL and cUL standard for all Zone 1, 2, 21 & 22 and Class I/II Div 2 installations. Can also be specified for applications requiring compliance to the UL38 standard for Manual Signaling Boxes for Fire Alarm Systems or ULC-S528 Manual Stations For Fire Alarm Systems. Available with DIN rail terminals or the innovative E2S termination board with dedicated connections for field installed EOL and/or series devices. SIL 2 compliant to IEC 61508 (2010).

## Features

- Corrosion proof GRP enclosure, anti-static & UV stable
- Ingress protection IP66/67, 4/4X/3R/13
- Single or double switch (SPCO/DPCO)
- 316 (A4) stainless steel mechanism
- 3 x cable entries, 2 x stopping plugs included

## Approvals

- UL/cUL certificate: 20190604-E482536, 20200224-E513632
- IECEx certificate: IECEx ULD 19.0007X
- ATEX certificate: DEMKO 19 ATEX 2101X
- UKCA certificate: UL21UKEX2134X
- Ex EAC certified: EAC RU C-GB.AA71.B.00273/20
- PESO CCOE certified: P471512
- SIL 2 compliant to IEC 61508 (2010)
- CSFM listing: 7151-2279\_0509

## Coding

- NEC / CEC:
    - Class I Div 2 Group ABCD T5 Ta -55°C to +70°C \*
    - Class I Div 2 Group ABCD T6 Ta -55°C to +60°C
    - Class II Div 2 Group FG T4 Ta -55°C to +60°C #
    - Class III Div 1 & 2 Ta -55°C to +60°C #
  - NEC:
    - Class I Zone 1 AEx db IIC T5 Gb (Ta -55°C to +70°C) \*
    - Class I Zone 1 AEx db IIC T6 Gb (Ta -55°C to +60°C)
    - Zone 21 AEx tb IIIC T135°C Db (Ta -55°C to +70°C) \*
    - Zone 21 AEx tb IIIC T125°C Db (Ta -55°C to +60°C)
  - CEC:
    - Class I Zone 1 Ex db IIC T5 Gb X (Ta -55°C to +70°C) \*
    - Class I Zone 1 Ex db IIC T6 Gb X (Ta -55°C to +60°C)
    - Zone 21 Ex tb IIIC T135°C Db (Ta -55°C to +70°C)
  - IECEx & ATEX:
    - II 2G Ex db IIC T5 Gb Ta. -55 to +70°C
    - II 2G Ex db IIC T6 Gb Ta. -55 to +60°C
    - II 2D Ex tb IIIC T90°C Db Ta. -55° to +70°C
- \*: F version only  
#: F version +70°C  
See product manual for full product specific coding.



## Specification

<b>GNExCP7-PT:</b>	Latching push button with tool reset	
Temp. Range:	-55°C to +60°C/+70°C	
Switch:	Sealed – IP67	
Ingress protection:	IP66/67 to EN/IEC 60529 4/4X/3R/13 to UL50E/NEMA250	
Enclosure matl:	GRP Glass Reinforced Polyester, anti-static & UV stable	
Colour:	Red Other solid and striped colours available	
Lift flap:	Latching lift flap included as standard	
Cable entries:	2 x M20x1.5 down facing and 1 x M20x1.5 side Back box can be rotated to provide 2 x top facing and 1 x side entries Cable entries adaptable to 1/2"NPT, 3/4"NPT & M25	
Stopping plugs:	2 x Stopping plugs as standard Brass, Nickel plated or Stainless Steel	
Terminals:	DIN rail 8 × 2.5mm <sup>2</sup> SAK2.5 or Termination board featuring 6 × 2.5mm <sup>2</sup> terminals plus 4 x dedicated EOL & Series terminals	
Earth:	External M5 earth connection	
Relative Humidity:	R.H. 95% @ 20°C	
MTBF:	479.6 years / 4,201,680 hours I- MIL 217	
Weight:	2.1Kg/4.63lbs	

### Voltage Range: Max input Current: Limitations for EOL / Series Resistors:

250Vac Max	3.33A max	not permitted
48Vdc Max	1.0A max	min. 2.2kOhm
24Vdc Max	3.0A max	min. 470 Ohm

### EOL and Series Diode Values:

xxx:	Zener Value	Max. current supply permitted
3V3	3.3V Diode	230mA
4V7	4.7V Diode	162mA
5V1	5.1V Diode	149mA
5V6	5.6V Diode	136mA
6V2	6.2V Diode	122mA
6V8	6.8V Diode	112mA
10V	10V Diode	76mA
12V	12V Diode	63mA

## Part Codes

Version:	Part reference:	Description:
Product type:	GNExCP7PT	Latching push button with tool reset
Switch type: [s]	S D	SPCO/SPDT DPCO/DPDT
Terminals: [t]	D P	DIN Rail 8 × SAK2.5 Termination board: 6 × 2.5mm <sup>2</sup> terminals plus 4 × EOL & Series terminals
Lift flap: [l]	L	Lift flap supplied as standard
Cable entries:[e]	A B C D E F G	3 x M20x1.5mm 2 × 1/2" NPT – adaptors 2 × 3/4" NPT – adaptors 2 x M25x1.5mm – adaptors 1 × 1/2" NPT – adaptor 1 × 3/4" NPT – adaptor 1 x M25x1.5mm – adaptor
Stopping plug/ adaptor material: [m]	B P S	Brass Nickel Plated Brass Stainless Steel
Duty label/Equipment tag: [d]:	1 2 3 4 5 6 7	No Duty label, no Equip. tag Duty label Stainless Steel Duty label St/St + Equip. tag Duty label Metalised Polyester Duty label M. Poly. + Equip. tag Equip. tag only Special label requirement
Product version: [v]	A F  H Z M C P	UL, cUL, IECEX, ATEX, CSFM & PESO UL38 & ULC-S528 Fire UL, cUL, ULC, IECEX, ATEX, CSFM & PESO Honeywell TC809B1008 module IECEX, ATEX Ziton A45E-2 module IECEX, ATEX Tyco MIM800 module IECEX, ATEX Hochiki CHQ-CP2 monitor IECEX, ATEX Apollo XP95 mini module IECEX, ATEX
Product option: [o]	1	Standard product
Enclosure colour: [x]	R B N Y V S K M Z	Red Blue Green Yellow Red/White Yellow/Black Black Magenta Red/Black
Default: [u]	N	Default = N – not currently used
E.O.L.Module: [e] optional	ExxxR ED1 ExxxZ	Resistor value in Ohms e.g. E470R = 470 Ohm Diode IN4007 = ED1 Zener diode e.g. E5V1Z = 5.1V
Series Module: [s] optional	SxxxR SD1 SxxxZ	Resistor value in Ohms e.g. S1K5R = 1.5K Ohm Diode IN4007 = SD1 Zener diode e.g. S5V1Z = 5.1V

**Note:** F version only available with Duty label option 2 or 3.  
Mandatory duty label: "FIRE/FEU"  
F version only available with Red enclosure

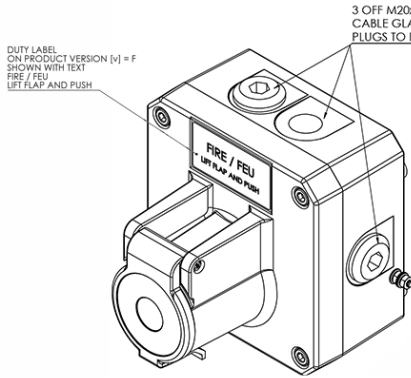
### Spares:

SP70-0074 Spare GNExCP7-PT Reset Key

### Accessories:

SP65-0001-A4 Pole Mount Bracket Kit 2" St/St A4 (316)  
SP65-0002-A4 Sunshade – St/St A4 (316)

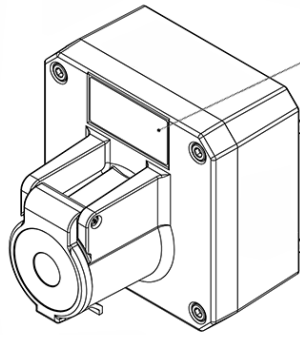
Note: All trademarks are the property of their respective owners



DUTY LABEL ON PRODUCT VERSION [v] = F SHOWN WITH TEXT FIRE / FEU LIFT FLAP AND PUSH

3 OFF M20x1.5mm Ex d APPROVED CABLE GLAND OR STOPPING PLUGS TO BE USED IN EACH ENTRY

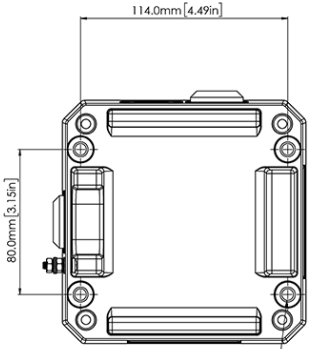
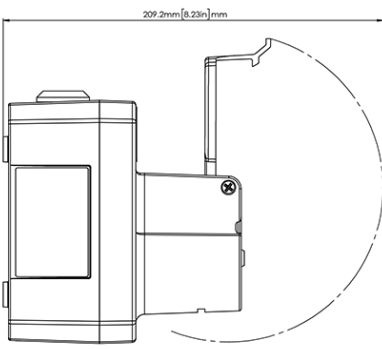
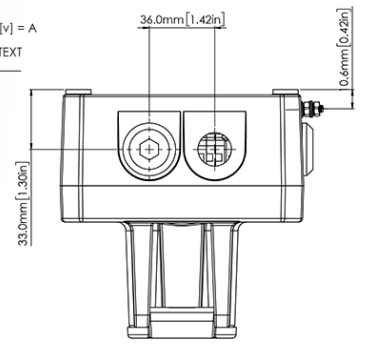
**NOTE: BACK BOX CAN BE ORIENTATED WITH DUAL CABLE ENTRIES FACING UP OR DOWN.**



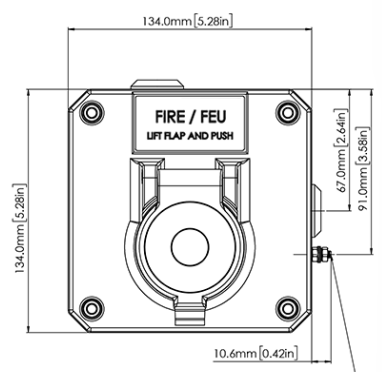
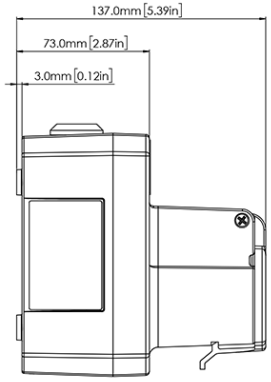
OPTIONAL DUTY LABEL ON PRODUCT VERSION [v] = A SHOWN BLANK CUSTOMER TO SPECIFY TEXT AS REQUIRED

UNIT SHOWN AS PRODUCT VERSION [v] = F (FIRE PRODUCT UL38) WITH FIRE DUTY LABEL

UNIT SHOWN AS PRODUCT VERSION [v] = A WITH STANDARD DUTY LABEL



Ø 6.4mm [0.25in] MOUNTING HOLES 4 OFF



EXTERNAL M4 EARTH STUD