

Explosion-proof, Weatherproof



Features

- UL listed:
 - Class I, Div. 1, Groups C & D.
 - Class 1, Zone 1.
- ATEX approved.
- NEMA 4x, IP66.
- Certified temperature: -13°F to +158°F.
-25°C to +70°C.
- 4 Wire diode monitored connection for operation in supervisory mode.
- NFPA 72 compliant.
- Up to 103 dB(A) output @ 10 feet.
- Marine grade alloy.
- 27 output tones, user selectable.
- 12V, 24V & 48V d.c.
- 110V a.c.
- Tones can be selected remotely.
- Any two tones may be switched via the external voltage supply.

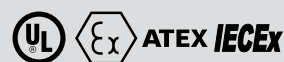
Introduction

This range of lightweight, explosionproof horns have been designed with a high weatherproof rating to cope with the harsh environmental conditions found offshore and onshore in the oil, gas and petrochemical industries.

New electronic circuitry allows the DB1P and DB1HP to be switched between two selectable tones by either reversing the supply polarity, or connecting a second voltage supply.

The higher output DB1HP is particularly suitable for noisy environments.

European, Russian and other worldwide approvals are available, refer to main section of catalogue.

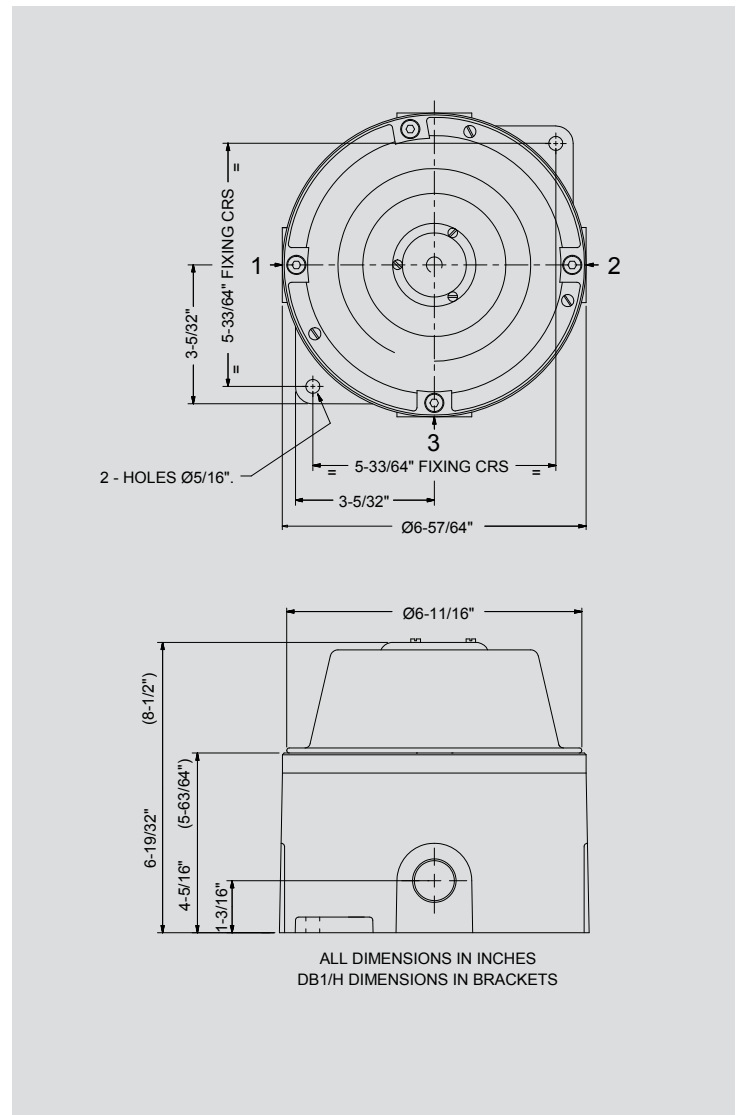


Certification and Specification

Certification:	UL Listed for Class I, Div. 1. Groups C & D and Class I, Zone 1. UL Listing No. E187688.
Material:	LM25 corrosion resistant alloy with stainless steel cover screws. ABS flare.
Finish:	Epoxy paint finish as standard or to customer specification.
Weight:	DB1P 7.7lb/3.5kg approx. DB1HP. 12.3lb/5.6kg approx.
Certified Temp:	-13°F to +158°F. -25°C to +70°C.
Ingress Protection:	NEMA 4x, IP66.
Entries:	Up to 3 x 1/2" or 3/4" NPT.
Terminals:	Suitable to accept up to 10 AWG conductor size.
Output:	DB1P=93±3dB(A) (86±3dB(A) for 12V DB1). DB1HP=100 ± 3dB(A) @ 10 feet. Note: Sound level is dependent upon the tone selection.
Labels:	Duty and tag labels optional.
Tone Selection:	27 user selectable tones available.

Tone	Tone Frequency	Tone	Tone Frequency
1	Alt Tones 800/970 Hz at 1/4 sec.	15	554 Hz for 0.1S/440 Hz for 0.1S
2	Sweeping 800/970 Hz at 7 Hz	16	Int 660 Hz 150 mS on 150 mS off
3	Sweeping 800/970 Hz at 1 Hz	17	Int 660 Hz 1.8 sec. on 1.8 sec. off
4	Continuous at 2850 Hz	18	Int 660 Hz 6.5 sec. on 13 sec. off
5	Sweeping 2400-2850 Hz at 7 Hz	19	Continuous 660 Hz
6	Sweeping 2400-2850 Hz at 1 Hz	20	Alt 554/440 Hz at 1 Hz
7	Slow Whoop	21	Int 660 Hz at 7/8 Hz
8	Sweep 1200-500 Hz at 1 Hz	22	Int 2850 Hz 150 mS on 100 mS off
9	Alt Tones 2400/2850 Hz at 2 Hz	23	Sweep 800-970 Hz at 50 Hz
10	Int Tones of 970 Hz at 1 Hz	24	Sweep 2400-2850 Hz at 50 Hz
11	Alt Tones 800/970 Hz at 7/8 Hz	25	3x970 Hz pulses 0.5 off, 1.5 off
12	Int Tone at 2850 Hz at 1 Hz	26	3x2850z pulses 0.5 on/0.5 off, 1.5 off.
13	970 Hz at 1/4 sec. on 1 sec. off	27	Int 3100 Hz 0.3 sec. on 0.7 sec. off
14	Continuous at 970 Hz		

- Single Stage** 4 wired diode monitored connection – on board diode allows unit to be operated in supervisory mode when monitoring line in reverse polarity.
- Two Stage** Switchable unit available in d.c. versions only either by:
- Reversing the polarity of the supply, or,
 - By a 3 wire common +ve system, switching between the –ve lines.



Current Consumption:

	DB1P	DB1HP
	Steady State	Steady State
12V	125mA	900mA
24V	250mA	700mA
48V	250mA	–
110V	60mA	200mA

Ordering Requirements

The following code is designed to help in selection of the correct unit. Build up the reference number by inserting the code for each component into the appropriate box.

Model	Voltage	Entries	Duty Label	Tag Label	Options	Finish																																																						
DB1PULA DB1HPULA	<table border="1"> <thead> <tr> <th>Voltage</th> <th>Code</th> </tr> </thead> <tbody> <tr> <td>12V d.c.</td> <td>012</td> </tr> <tr> <td>24V d.c.</td> <td>024</td> </tr> <tr> <td>48V d.c.</td> <td>048</td> </tr> <tr> <td>110V a.c.</td> <td>110</td> </tr> </tbody> </table>	Voltage	Code	12V d.c.	012	24V d.c.	024	48V d.c.	048	110V a.c.	110	<table border="1"> <thead> <tr> <th>Entries</th> <th>Code</th> </tr> </thead> <tbody> <tr> <td>1/2" NPT</td> <td>C</td> </tr> <tr> <td>3/4" NPT</td> <td>D</td> </tr> <tr> <td>LHS</td> <td>*1</td> </tr> <tr> <td>RHS</td> <td>*2</td> </tr> <tr> <td>Bottom</td> <td>*3</td> </tr> </tbody> </table> <p>* Prefix position with entry size code e.g. C1C3 = 1/2" NPT left and bottom entries.</p>	Entries	Code	1/2" NPT	C	3/4" NPT	D	LHS	*1	RHS	*2	Bottom	*3	<table border="1"> <thead> <tr> <th>Duty Label</th> <th>Code</th> </tr> </thead> <tbody> <tr> <td>None</td> <td>N</td> </tr> <tr> <td>Required</td> <td>D*</td> </tr> </tbody> </table> <p>* Please specify.</p>	Duty Label	Code	None	N	Required	D*	<table border="1"> <thead> <tr> <th>Tag Label</th> <th>Code</th> </tr> </thead> <tbody> <tr> <td>None</td> <td>N</td> </tr> <tr> <td>Required</td> <td>T*</td> </tr> </tbody> </table> <p>* Please specify.</p>	Tag Label	Code	None	N	Required	T*	<table border="1"> <thead> <tr> <th>Options</th> <th>Code</th> </tr> </thead> <tbody> <tr> <td>None</td> <td>N</td> </tr> <tr> <td>Relay Initiate</td> <td>R</td> </tr> <tr> <td>Remote tone</td> <td></td> </tr> <tr> <td>Select</td> <td>S</td> </tr> <tr> <td>End of line resistor</td> <td>E*</td> </tr> </tbody> </table> <p>* State value.</p>	Options	Code	None	N	Relay Initiate	R	Remote tone		Select	S	End of line resistor	E*	<table border="1"> <thead> <tr> <th>Finish</th> <th>Code</th> </tr> </thead> <tbody> <tr> <td>Red</td> <td>R</td> </tr> <tr> <td>Gray</td> <td>G</td> </tr> <tr> <td>Special</td> <td>S*</td> </tr> </tbody> </table> <p>* Please specify.</p>	Finish	Code	Red	R	Gray	G	Special	S*
Voltage	Code																																																											
12V d.c.	012																																																											
24V d.c.	024																																																											
48V d.c.	048																																																											
110V a.c.	110																																																											
Entries	Code																																																											
1/2" NPT	C																																																											
3/4" NPT	D																																																											
LHS	*1																																																											
RHS	*2																																																											
Bottom	*3																																																											
Duty Label	Code																																																											
None	N																																																											
Required	D*																																																											
Tag Label	Code																																																											
None	N																																																											
Required	T*																																																											
Options	Code																																																											
None	N																																																											
Relay Initiate	R																																																											
Remote tone																																																												
Select	S																																																											
End of line resistor	E*																																																											
Finish	Code																																																											
Red	R																																																											
Gray	G																																																											
Special	S*																																																											

For all other global certification please refer to standard data sheet.