

LEDEEN VA Series Pneumatic Actuators

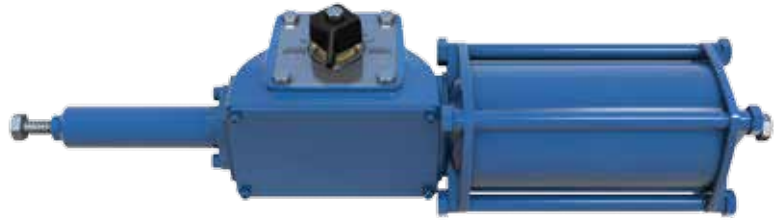
TECHNOLOGY



LEDEEN VA Series

TYPICAL APPLICATION

For on/off or modulating control of any ball, plug or butterfly valve utilizing compressed air, natural gas or nitrogen actuator supply.

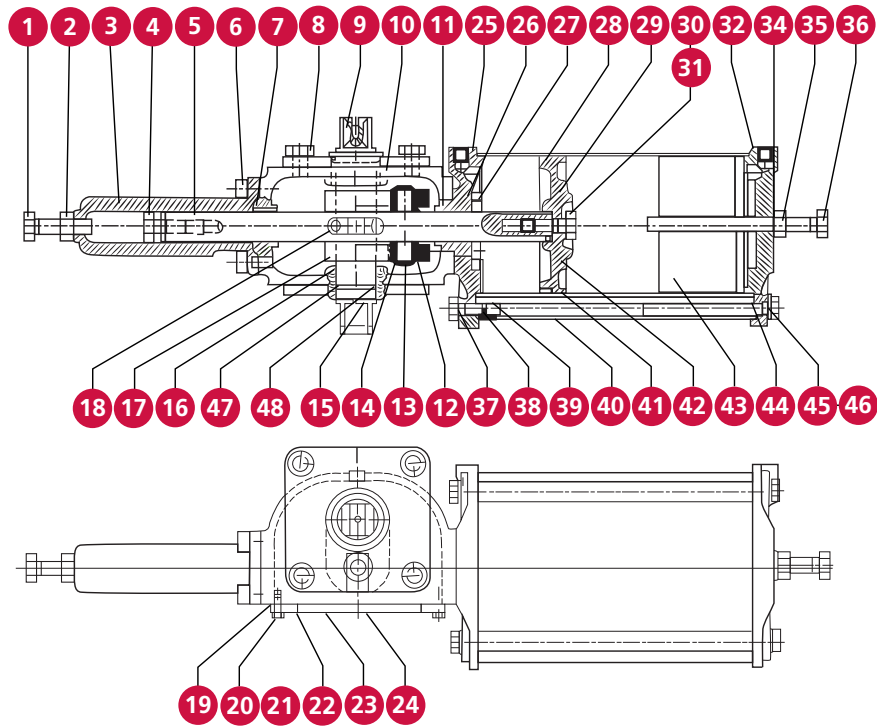


MODULAR ASSEMBLY

Consistent engineering design and efficient modular assembly allows increased flexibility to be achieved. Double acting, spring fail close/open or manual override operations are combinations that are readily obtainable on the LEDEEN® VA Series.



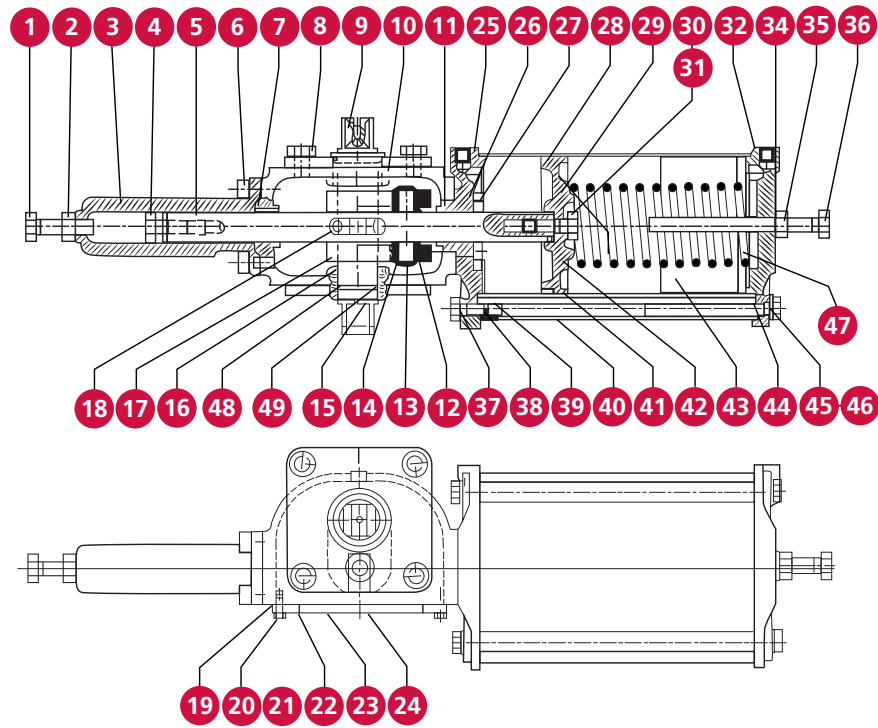
PNEUMATIC ACTUATOR STANDARD DA CONSTRUCTION



Item	Description	Material
1	Screw	Commercial
2	Nut	Commercial
3	Cover	Cast Iron
4	Screw	Commercial
5	Piston Rod	Alloy Steel
6	Socket Headscrew	Commercial
7	Bushing	Bronze
8	Screw	Commercial
9	Shaft	Alloy Steel
10	Housing	Cast Iron
11	Bushing	Bronze
12	Sliding Block	Bronze
13	Pin	Alloy Steel
14	Seeger	Commercial
15	Seeger	Commercial
16	Bushing	Bronze
17	Scotch Yoke	Alloy Steel
18	Pin	Spring Steel
19	Gasket	NA-1030
20	Screw	Commercial
21	Washer	Commercial
22	Rivet	Commercial
23	Cover	Carbon Steel
24	Nameplate	AISI 303

Item	Description	Material
25	ROD Head Flange	Cast Iron
26	O-ring	NBR
27	Socket Headscrew	Commercial
28	O-ring	NBR
29	O-ring	NBR
30	Screw	Commercial
31	Washer	Commercial
32	Blank Head Flange	Cast Iron
34	O-ring	NBR
35	Hex Nut	Commercial
36	Screw	Commercial
37	Screw	Commercial
38	Pin	Carbon Steel
39	O-ring	NBR
40	Tie Rod	Carbon Steel
41	Guide Slider	Teflon + 15% graphite
42	Piston	Cast Iron
43	Cylinder Liner	Carbon Steel + ENP
44	O-ring	NBR
45	Screw	Commercial
46	Washer	Commercial
47	O-ring	NBR
48	O-ring	NBR

PNEUMATIC ACTUATOR STANDARD SR CONSTRUCTION

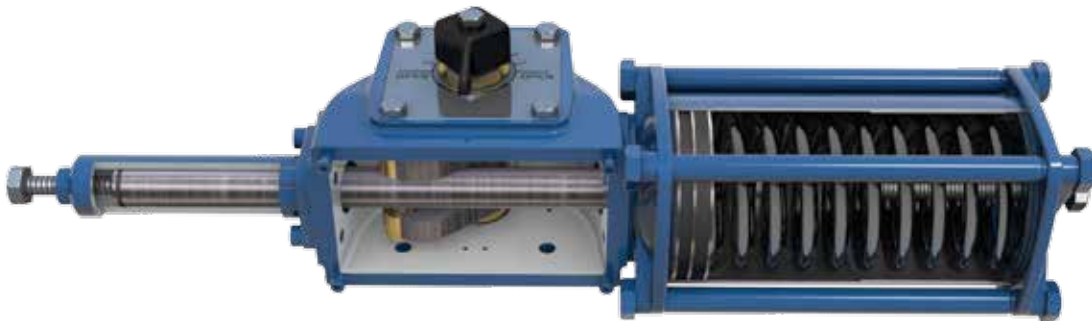


Item	Description	Material
1	Screw	Commercial
2	Nut	Commercial
3	Cover	Cast Iron
4	Screw	Commercial
5	Piston Rod	Alloy Steel
6	Socket Headscrew	Commercial
7	Bushing	Bronze
8	Screw	Commercial
9	Shaft	Alloy Steel
10	Housing	Cast Iron
11	Bushing	Bronze
12	Sliding Block	Bronze
13	Pin	Alloy Steel
14	Seeger	Commercial
15	Seeger	Commercial
16	Bushing	Bronze
17	Scotch Yoke	Alloy Steel
18	Pin	Spring Steel
19	Gasket	NA-1030
20	Screw	Commercial
21	Washer	Commercial
22	Rivet	Commercial
23	Cover	Carbon Steel
24	Nameplate	AISI 303

Item	Description	Material
25	ROD Head Flange	Cast Iron
26	O-ring	NBR
27	Socket Headscrew	Commercial
28	O-ring	NBR
29	O-ring	NBR
30	Screw	Commercial
31	Washer	Commercial
32	Blank Head Flange	Cast Iron
34	O-ring	NBR
35	Hex Nut	Commercial
36	Screw	Commercial
37	Screw	Commercial
38	Pin	Carbon Steel
39	O-ring	NBR
40	Tie Rod	Carbon Steel
41	Guide Slider	Teflon + 15% graphite
42	Piston	Cast Iron
43	Cylinder Liner	Carbon Steel + ENP
44	O-ring	NBR
45	Screw	Commercial
46	Washer	Commercial
47	Spring	Spring Steel
48	O-ring	NBR
49	O-ring	NBR

STANDARD FEATURES

- All models available as double acting or spring return
- Torque outputs to 9700 in-lb (1100 N·m)
- Forged steel body, piston and end caps
- Carbon steel cylinders with nickel-plated I.D.
- Symmetric yoke
- Aluminum bronze sliding blocks in yoke
- Composite guide band on piston
- Open and close travel stops, provide ± 3 degrees minimum
- Local position indication
- Suitable for SIL 3 environments



STANDARD PRODUCT CHARACTERISTICS

ACTUATOR MODEL	TEMPERATURE RANGE	PRESSURE RANGE
VA	-22° F to 212° F (-30° C to 100° C)	40 to 175 psig (3 to 12 barg)

STANDARD OPTIONS

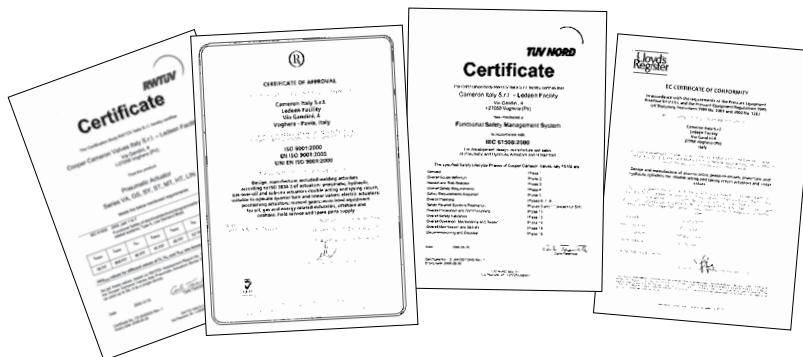
- Stainless steel cylinders
- Fluorosilicone seals for low-temperature applications to -76° F (-60° C)
- Viton® seals for high-temperature applications to 392° F (200° C)
- Jackscrew with handwheel for operating any double acting or spring return model
- Gear with handwheel provides dual function of valve mounting hardware with override capability for any double acting or spring return model



CERTIFICATIONS

Cameron's LEDEEN VA Series of actuators comply with many industry standards.

- ISO 9001:2008, Quality
- PED 97/23/EC, Design
- SI 825, Safety
- IEC 61508:2000, Integrity (TUV/SIL3)



MODEL NUMBER DESIGNATION

Cameron offers customizable actuators from the frame type to the override options. A sample of the actuator selection process is shown below. Starting with Step 1, Model Type, the actuator

Components needed to fit the customer's requirements are built. An example model number is shown below, which specifically identifies each variable for selection.



1
Model Type
VA

2
Model Size
01 or 11

3
Cylinder Size
110 to 160

4
Actuator Type
SR: Spring Return
DA: Double Acting

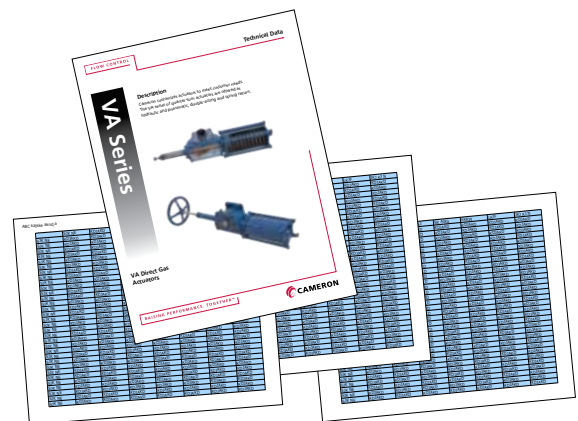
5
Fail Position
O: Open
C: Close

6
Spring Cartridge Size
01 to 12

7
Manual Override
Option
JS: Jackscrew

TECHNICAL DATA

For additional technical data such as torque charts, dimensional drawings, etc., refer to the LEDEEN VA Series actuators technical data packages or contact LEDEEN@c-a-m.com



3250 Briarpark Drive, Suite 300
Houston, TX 77042
USA
Toll Free 1 800 323 9160

Via Gandini 4
27058 Voghera, PV
Italy
Tel 39 0383 343311

Learn more about LEDEEN actuators at:
www.c-a-m.com/LEDEEN or
email LEDEEN@c-a-m.com



HSE Policy Statement

At Cameron, we are committed ethically, financially and personally to a working environment where no one gets hurt and nothing gets harmed.